

## HSMQ-C320

### Top Emitting SMT Lens ChipLED

---

#### Overview

The Broadcom<sup>®</sup> HSMQ-C320 is a top-view mono-color surface mount chipLED that comes with green color and an integrated optical lens. It offers high on-axis intensity and narrow viewing angle. This allows effective light coupling into secondary optics like light guide and light pipe.

This product is available in an industrial standard 0603 footprint. This makes the LED easy to use and versatile. It offers industry-leading light output performance by utilizing efficient and high brightness Indium Gallium Nitride (InGaN) chip technology.

It is compatible with industry standard automatic machine placement and reflow soldering.

#### Features

- LED with InGaN Green
- Industrial standard footprint
- Compatible with reflow soldering
- Available in 8-mm tape and 7-in. diameter reel

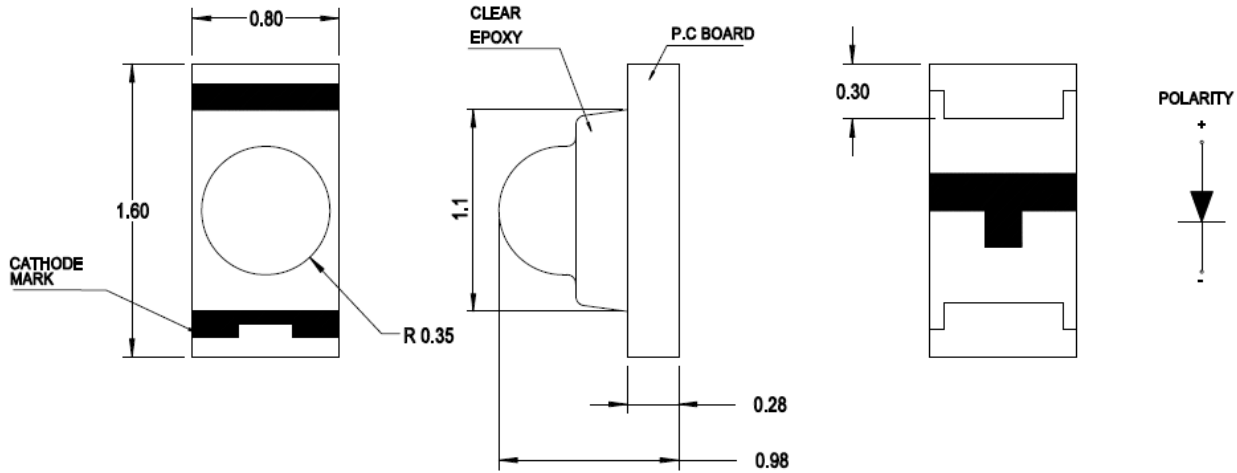
#### Applications

- Status indicator
- Keypad backlighting
- Pushbutton backlighting

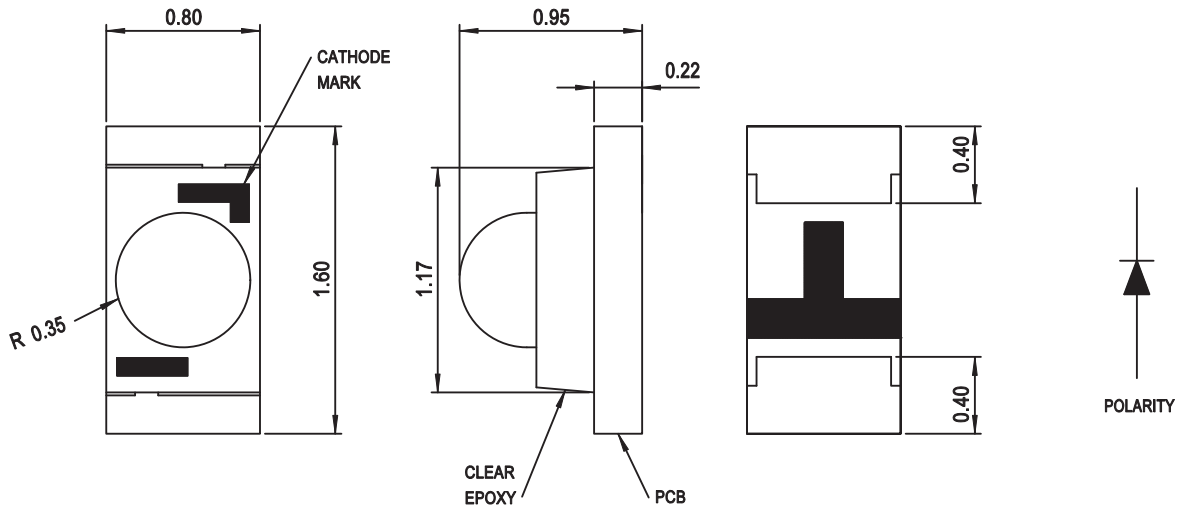
**CAUTION!** This LED is Class 1A ESD sensitive per ANSI/ESDA/JEDEC JS-001. Please observe appropriate precautions during handling and processing. Refer to Application Note AN-1142 for additional details.

# Package Dimensions

## Manufacturing Site 1



## Manufacturing Site 2



**NOTE:**

1. All dimensions are in millimeters (mm).
2. Tolerance is  $\pm 0.10$  mm unless otherwise specified.

## Absolute Maximum Ratings

Parameters	Value	Units
DC Forward Current <sup>a</sup>	20	mA
Power Dissipation	70	mW
LED Junction Temperature	95	°C
Operating Temperature Range	-40 to +85	°C
Storage Temperature Range	-40 to +85	°C

a. Derate linearly as shown in [Figure 4](#).

## Optical Characteristics ( $T_J = 25^\circ\text{C}$ , $I_F = 20\text{ mA}$ )

Color	Luminous Intensity, $I_v$ (mcd) <sup>a</sup>		Dominant Wavelength, $\lambda_d$ (nm) <sup>b</sup>	Peak Wavelength, $\lambda_p$ (nm)	Viewing Angle, $2\theta_{1/2}$ (°) <sup>c</sup>
	Min.	Max.	Typ.	Typ.	Typ.
Green	1125	4500	527	520	40

- The luminous intensity is measured at the mechanical axis of the LED package. The actual peak of the spatial radiation pattern may not be aligned with the axis.
- The dominant wavelength is derived from the CIE Chromaticity diagram and represents the perceived color of the device.
- Viewing angle is the off axis angle where the luminous intensity is half of the peak intensity.

## Electrical Characteristics ( $T_J = 25^\circ\text{C}$ , $I_F = 20\text{ mA}$ )

Color	Forward Voltage, $V_F$ (V) <sup>a</sup>		Reverse Current, $I_R$ ( $\mu\text{A}$ ) at $V_R = 5\text{V}$ <sup>b</sup>	Thermal Resistance, $R_{\theta_{J-S}}$ (°C/W) <sup>c</sup>
	Min.	Max.	Max.	Typ.
Green	2.5	3.5	10	500

- Forward voltage tolerance =  $\pm 0.1\text{V}$ .
- Indicates product final test condition only. Long term reverse bias is not recommended.
- Thermal resistance from LED junction to solder point.

## Bin Information

### Intensity Bin Limit (CAT)

Bin	Luminous Intensity (mcd)	
	Min.	Max.
W	1125.0	1800.0
X	1800.0	2850.0
Y	2850.0	4500.0

Tolerance =  $\pm 15\%$ .

### Color Bin Limit (BIN)

Bin	Dominant Wavelength (nm)	
	Min.	Max.
A	515	520
B	520	525
C	525	530
D	530	535

Tolerance =  $\pm 1.0$  nm.

### Forward Voltage Bin Limit (VF)

Bin	Forward Voltage (V)	
	Min.	Max.
Y	2.5	2.7
Z	2.7	2.9
1	2.9	3.1
2	3.1	3.3
3	3.3	3.5

Tolerance =  $\pm 0.1$ V.

Figure 1: Spectral Power Distribution

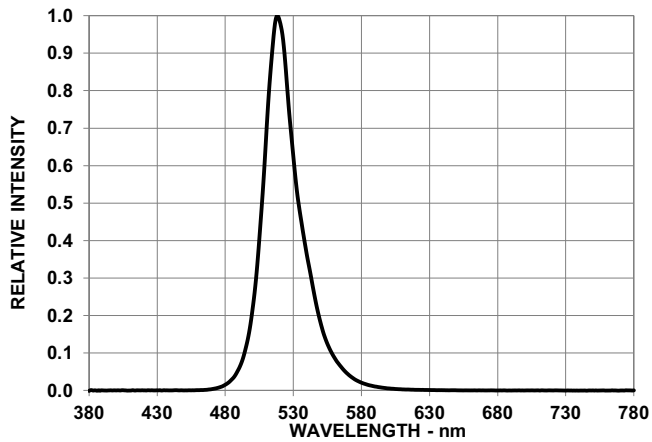


Figure 2: Relative Luminous Intensity vs. Forward Current

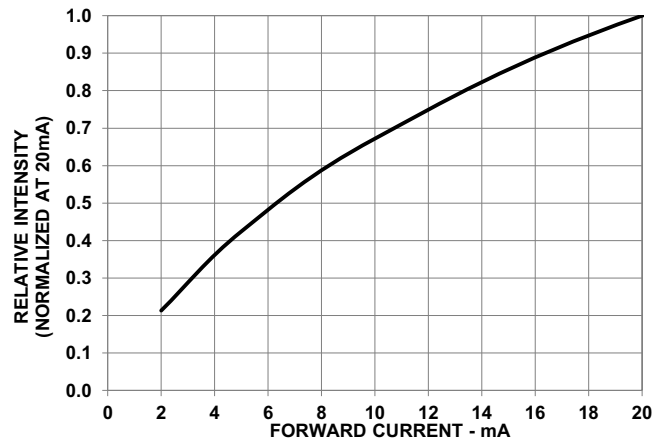


Figure 3: Forward Current vs. Forward Voltage

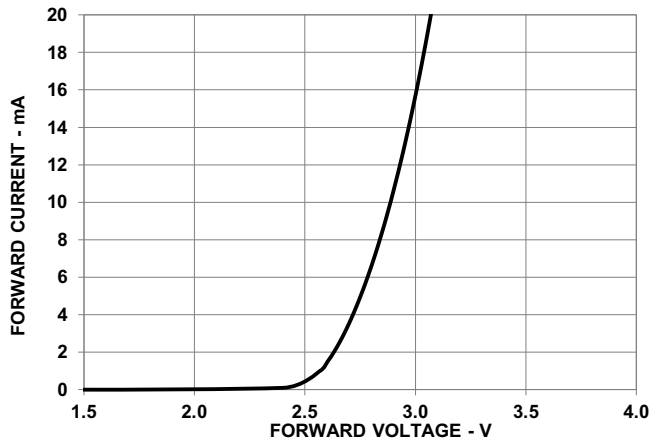


Figure 4: Derating Curve

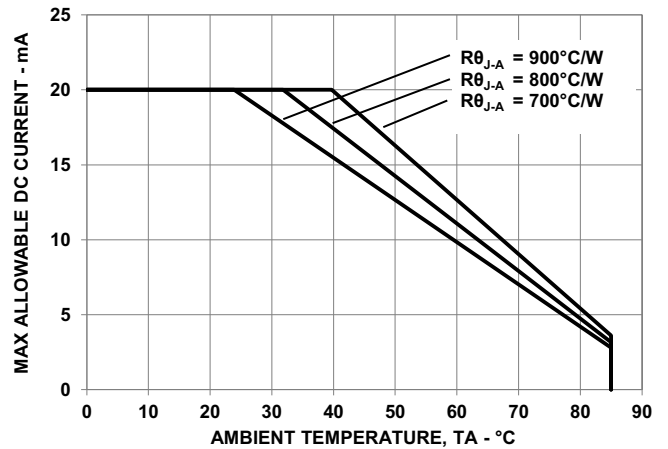


Figure 5: Recommended Soldering Land Pattern

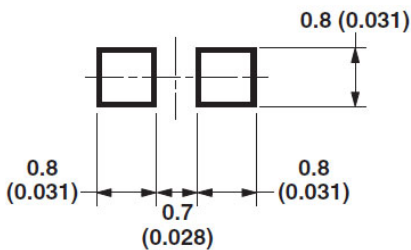


Figure 6: Radiation Pattern

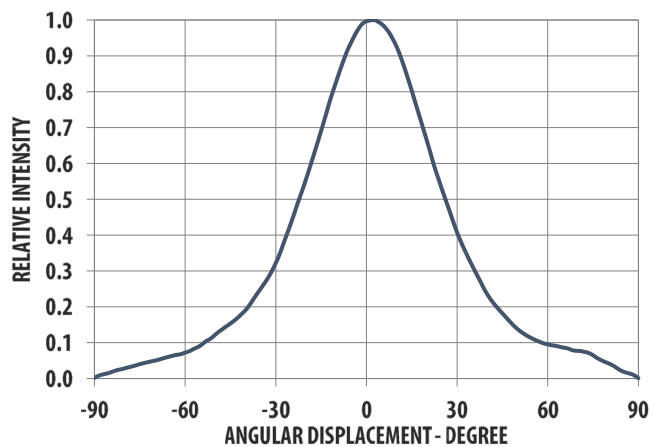
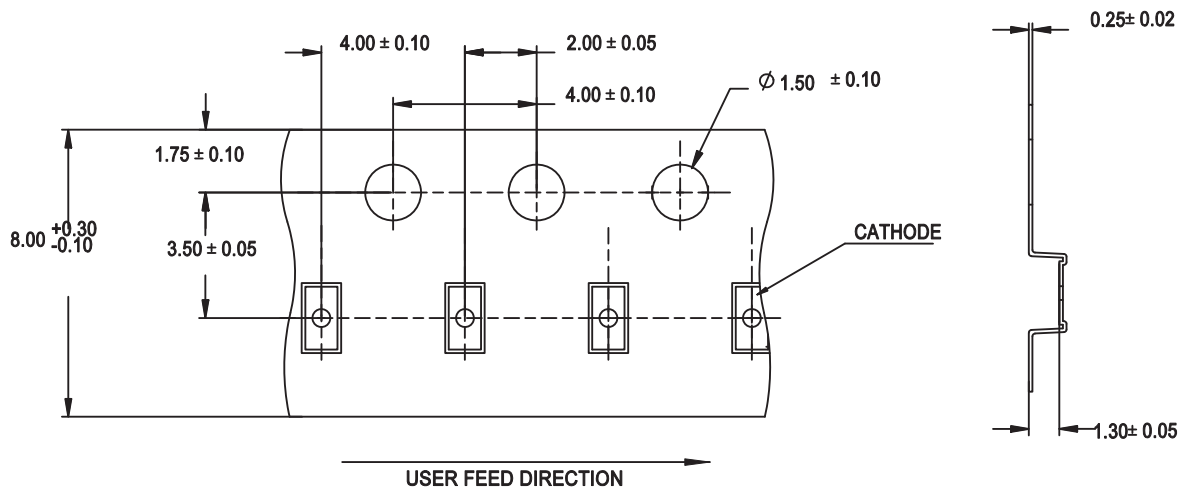


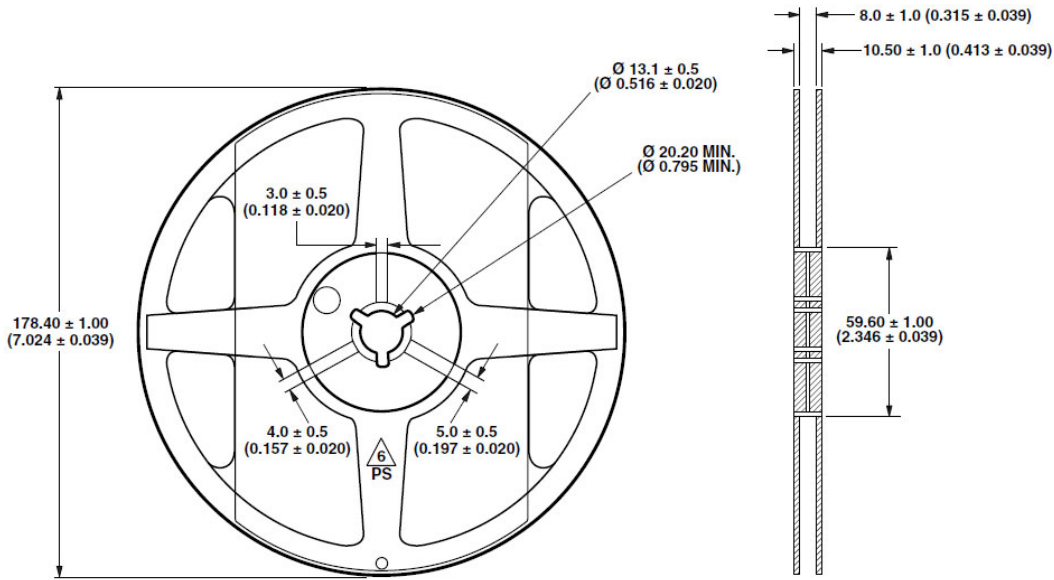
Figure 7: Carrier Tape Dimensions



NOTE:

1. All dimensions in are in millimeters.
2. Tolerance is  $\pm 0.10$  mm unless otherwise specified.

Figure 8: Reel Dimensions



NOTE:

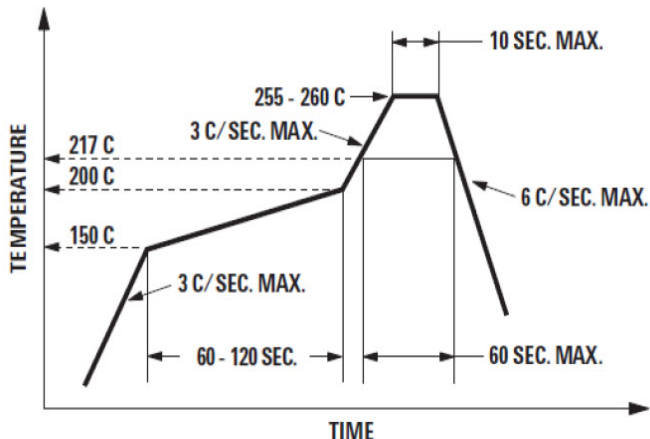
1. ALL DIMENSIONS IN MILLIMETERS (INCHES).

## Precautionary Notes

### Soldering

- Do not perform reflow soldering more than twice. Observe necessary precautions of handling moisture-sensitive device as stated in the following section.
- Do not apply any pressure or force on the LED during reflow and after reflow when the LED is still hot.
- Use reflow soldering to solder the LED. Use hand soldering only for rework if unavoidable, but it must be strictly controlled to following conditions:
  - Soldering iron tip temperature = 310°C maximum
  - Soldering duration = 2 seconds maximum
  - Number of cycles = 1 only
  - Power of soldering iron = 50W maximum
- Do not touch the LED package body with the soldering iron, except for the soldering terminals, as it may cause damage to the LED.
- Confirm beforehand whether the functionality and performance of the LED is affected by hand soldering.

Figure 9: Recommended Lead-Free Reflow Soldering Profile



### Handling Precautions

This product has a Moisture Sensitive Level 2a rating per JEDEC J-STD-020. Refer to the Broadcom Application Note AN5305, *Handling of Moisture Sensitive Surface Mount Devices* for additional details and a review of proper handling procedures.

#### Before use:

- An unopened moisture barrier bag (MBB) can be stored at <40°C/90% RH for 12 months. If the actual shelf life has exceeded 12 months and the humidity indicator card (HIC) indicates that baking is not required, then it is safe to reflow the LEDs per the original MSL rating.
- Do not open the MBB prior to assembly (for example, for IQC).

#### Control after opening the MBB:

- Read the HIC immediately upon opening of MBB.
- Keep the LEDs at <30°/60% RH at all times, and complete all high temperature-related processes, including soldering, curing, or rework within 672 hours.

#### Control for unfinished reel:

Store unused LEDs in a sealed MBB with desiccant or a desiccator at <5% RH.

#### Control of assembled boards:

If the PCB soldered with the LEDs is to be subjected to other high-temperature processes, store the PCB in a sealed MBB with desiccant or desiccator at <5% RH to ensure that all LEDs have not exceeded their floor life of 672 hours.

#### Baking is required if the following conditions exist:

- The HIC indicator indicates a change in color for 10% and 5%, as stated on the HIC.
- The LEDs are exposed to conditions of >30°C/60% RH at any time.
- The LED's floor life exceeded 672 hours.

The recommended baking condition is: 60°C ± 5°C for 20 hours.

Baking can only be done once.

## Application Precautions

- The drive current of the LED must not exceed the maximum allowable limit across temperature as stated in the data sheet. Constant current driving is recommended to ensure consistent performance.
- The circuit design must cater to the whole range of forward voltage ( $V_F$ ) of the LEDs to ensure the intended drive current can always be achieved.
- The LED exhibits slightly different characteristics at different drive currents, which may result in a larger variation of performance (such as intensity, wavelength, and forward voltage). Set the application current as close as possible to the test current to minimize these variations.
- Driving the LED at low current ( $< 2$  mA) does not cause functional failures to the LED (that is, open/short). However, the variation in intensity is larger than the existing intensity bin ratio of 1:1.6.
- If the LED is intended to be used along with an LED of another color to achieve color mixing, Broadcom does not guarantee the consistency of the resultant color. Contact your Broadcom Sales Representative for such applications.
- The LED is not intended for reverse bias. Use other appropriate components for such purposes. When driving the LED in matrix form, ensure that the reverse bias voltage does not exceed the allowable limit of the LED.
- Avoid rapid changes in ambient temperature, especially in high-humidity environments, because they cause condensation on the LED.
- If the LED is intended to be used in a harsh or an outdoor environment, protect the LED against damages caused by rain water, water, dust, oil, corrosive gases, external mechanical stresses, and so on.

## Eye Safety Precautions

LEDs may pose optical hazards when in operation. Do not look directly at operating LEDs, because it might be harmful to the eyes. For safety reasons, use appropriate shielding or personal protective equipment.



## Disclaimer

Broadcom's products and software are not specifically designed, manufactured, or authorized for sale as parts, components, or assemblies for the planning, construction, maintenance, or direct operation of a nuclear facility or for use in medical devices or applications. The customer is solely responsible, and waives all rights to make claims against Broadcom or its suppliers, for all loss, damage, expense, or liability in connection with such use.

Broadcom, the pulse logo, Connecting everything, Avago Technologies, Avago, and the A logo are among the trademarks of Broadcom and/or its affiliates in the United States, certain other countries, and/or the EU.

Copyright © 2019–2021 Broadcom. All Rights Reserved.

The term “Broadcom” refers to Broadcom Inc. and/or its subsidiaries. For more information, please visit [www.broadcom.com](http://www.broadcom.com).

Broadcom reserves the right to make changes without further notice to any products or data herein to improve reliability, function, or design. Information furnished by Broadcom is believed to be accurate and reliable. However, Broadcom does not assume any liability arising out of the application or use of this information, nor the application or use of any product or circuit described herein, neither does it convey any license under its patent rights nor the rights of others.



Lead (Pb) Free  
RoHS Compliant