

The Avago Advantage



Applications Solutions

Avago Technologies Solutions for **White Goods & Appliances**



Your Imagination, Our Innovation
Sense • Illuminate • Connect

Avago Technologies Solutions for **White Goods & Appliances**

Avago Technologies offers a wide range of LEDs, displays, optical encoders, optical isolation and infrared components for white goods applications centered around solving problems with controlling motors and actuators and enhancing the user interface and presentation of the product.

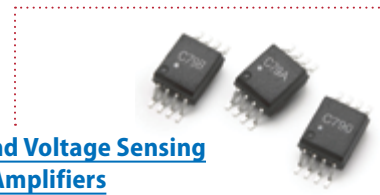


Motor Drive and Control **IGBT Gate Drivers**

Avago gate drive optocouplers provide isolated high current gate driver for IGBTs and MOSFETs. These gate drive optocouplers come in wide range of output current from 0.4A to 5A, and selected parts with integrated features such as Active Miller Clamp, under voltage lockout, fault status feedback and de-saturation detection.

Featured Products

- (Active Miller Clamp, rail-to-rail output voltage) Isolated Gate Driver
- (Fault status feedback, automatic fault reset) Isolated Gate Driver

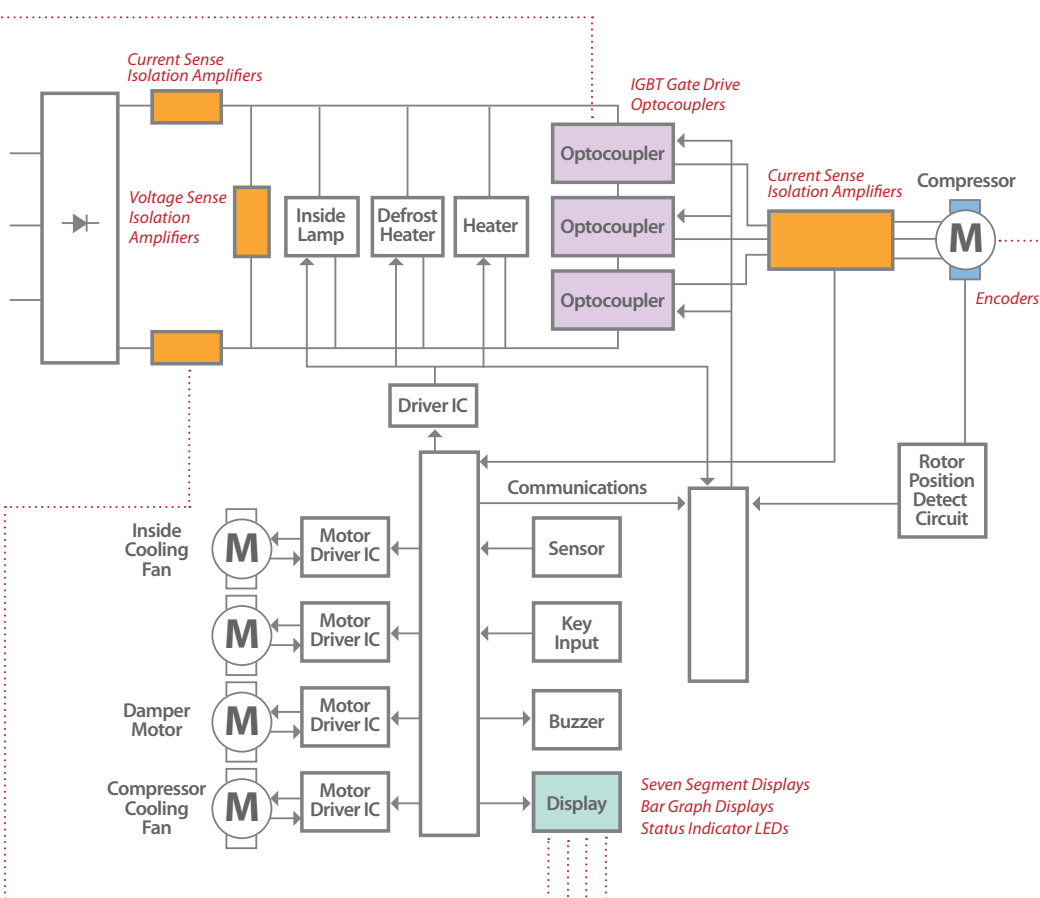


Current and Voltage Sensing **Isolation Amplifiers**

Avago isolation amplifier optocouplers provide high precision, stability, and common mode rejection for current and voltage sensing applications without compromising high noise or magnetic field immunity.

Featured Products

- Miniature Isolation Amplifiers
- Optically Isolated Sigma-Delta Modulator (External clock) with Digital Output



Speed & Position Control Optical Encoders

Avago offers a broad range of optical encoders including absolute, incremental and magnetic versions featuring

- Single and multi-turn versions
- A variety of resolutions
- Transmissive and reflective versions

Featured Products

- Reflective optical encoders
- Multi-turn encoders
- Single-turn absolute encoders
- Incremental encoders and code wheels

Seven Segment Displays

The 10 mm (0.4 inch) three digit slim font seven segment displays incorporate a new slim font character design with specially mitered segments to give a fuller appearance to the illuminated character. The 7.6 mm (0.3 inch) LED seven segment displays are designed for viewing distances up to 3 metres (10 feet).

Featured Products

- 10 mm three digit slim font with 2-colons seven segment displays
- HDSP-B42G/B47G – 4 digit seven segment display
- 10mm and 13mm slim font seven segment displays
- 7.6mm Micro-Bright seven segment displays

14.2mm Seven Segment Displays

The 14.2 mm (0.56 inch) LED seven segment displays are designed for viewing distances up to 7 metres (23 feet). They feature industry-standard size and pinout, wide viewing angle, high light output and are excellent for long digit string multiplexing.

Featured Products

- Single and dual digit displays.

Bar Graph Displays

Avago Technologies Bar Graph Arrays serve a market need for analog level indication. The reliability and ease of viewing of these displays makes them suitable in mechanical meters. The bar graph arrays are precisely matched for both intensity and wavelength, saving the time and trouble for matching individual parts. The pre-aligned bar graph elements locked in a single package eliminating the task of matching and aligning individual LEDs during manufacturing, along with the risk of visually substandard front panels resulting from misaligned indicators.

Featured Products

- Multi Color Series
- Single color Series

ChipLEDs for LCD Status Backlighting & Status Indicators

Avago Technologies offers an extensive range of high quality chipLEDs which are small in size, highly efficient and low power consumption to meet demands for virtually any surface mount lighting requirement.

Featured Products

- Surface-mount ChipLEDs – 0603 (1.6 x 0.8mm), blue & green, 0805 (2.0 x 1.2 mm), 1206 (3.2 x 1.6mm), right angle, reverse mount, multi-color, bi-color surface mount chipLEDs.

Your Imagination. Our Innovation



Avago Technologies is a leading designer, developer and global supplier of a broad range of analog, mixed signal and optoelectronics components and subsystems with a focus in III-V compound semiconductor design and processing. Backed by an extensive portfolio of intellectual property, Avago products serve three primary target markets: wireless communications, wired infrastructure, and industrial and other. Avago has a global employee presence and heritage of technical innovation dating back 50 years to its Hewlett-Packard roots.

Avago products serve three diverse end markets

Wireless Communications serving the smartphone/handset and Base Station infrastructure markets with leading-edge products that include:

- Power Amplifiers
- Front End Modules
- Film Bulk Acoustic Resonator (FBAR) Filters
- GPS/GLONASS LNAs
- Optical Finger Navigation
- LED Backlighting, Screen Illumination
- Ambient Light and Proximity Sensors

Wired Infrastructure for switches/routers, data centers, supercomputers and storage/servers with products that include:

- 168Gb Parallel Optic Arrays
- 28Gb SerDes ASICs in 28nm
- Storage Fibre Channel Transceivers
- QSFP+/SFP+ Ethernet Transceivers

Industrial and Other for alternative energy power generation, electronic sign and signals, automated manufacturing, automotive lighting, GPS/GLONASS navigation, motor inverter system, battery charging and management, infotainment systems and vehicle safety systems with products that include:

- Inverters
- Isolation and Digital Optocouplers
- Motion Control Optical & Magnetic Encoders
- Polymer Optical Fiber
- Indicator and Display LEDs



Contact us for your design needs at: www.avagotech.com

Avago, Avago Technologies, and the A logo are trademarks of Avago Technologies in the United States and other countries. Data subject to change. Copyright © 2013 Avago Technologies
AV00-0212EN 9/23/13