

Product Brief

BCM67192

Dual 4x4 Dual-Band Wi-Fi 8 (802.11bn) MAC/PHY/Radio for Residential Access Points

Overview

The Broadcom® BCM67192 is a fully optimized dual-radio, dual-band (2.4 GHz, 5 GHz) Wi-Fi 8 MAC/PHY/Radio solution, designed to deliver unparalleled performance, efficiency, and reliability for the new generation of 802.11bn (UHR) gateways, access points, and extenders.

Engineered to meet the burgeoning demands of the AI era, the BCM67192 combines the full complement of Wi-Fi 8 features with advanced silicon integration and proprietary Broadcom technologies, ensuring superior Quality-of-Experience (QoE) across diverse devices and bandwidth-intensive applications.

With integrated multi-chain 2.4 GHz and 5 GHz radio functionality supporting a total of 8 spatial streams, and featuring on-chip 2.4 GHz power amplifiers, the BCM67192 simplifies system design and lowers PCB footprint. This high level of integration, combined with third-generation digital pre-distortion, advanced eco-modes, and power optimization for ultra-low energy consumption establishes a new benchmark for power efficiency and cost-performance optimization in high performance networking devices.

The device supports 160 MHz channels in the 5 GHz band and 40 MHz in the 2.4 GHz band.

Wi-Fi 8 Solution

- 8-stream, dual 4x4 802.11bn UHR
- 4x4 2.4 GHz (40 MHz) + 4x4 5 GHz (160 MHz)
- Integrated 2.4 GHz power amplifiers

Increased Capacity

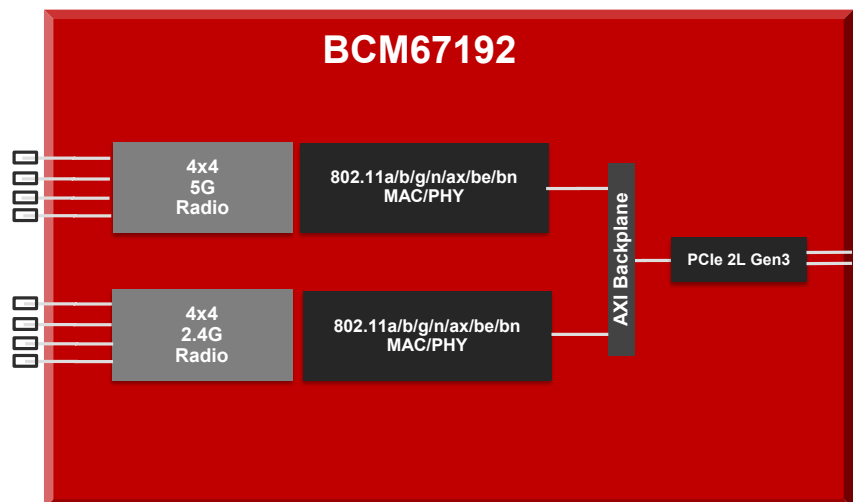
- Dynamic Sub-band Operation (DSO)
- Multi-AP Coordination (MAPC)
- Inter-AP Coordination (Co-BF)
- Dynamic Bandwidth Expansion (DBE)

Higher Throughput & Range

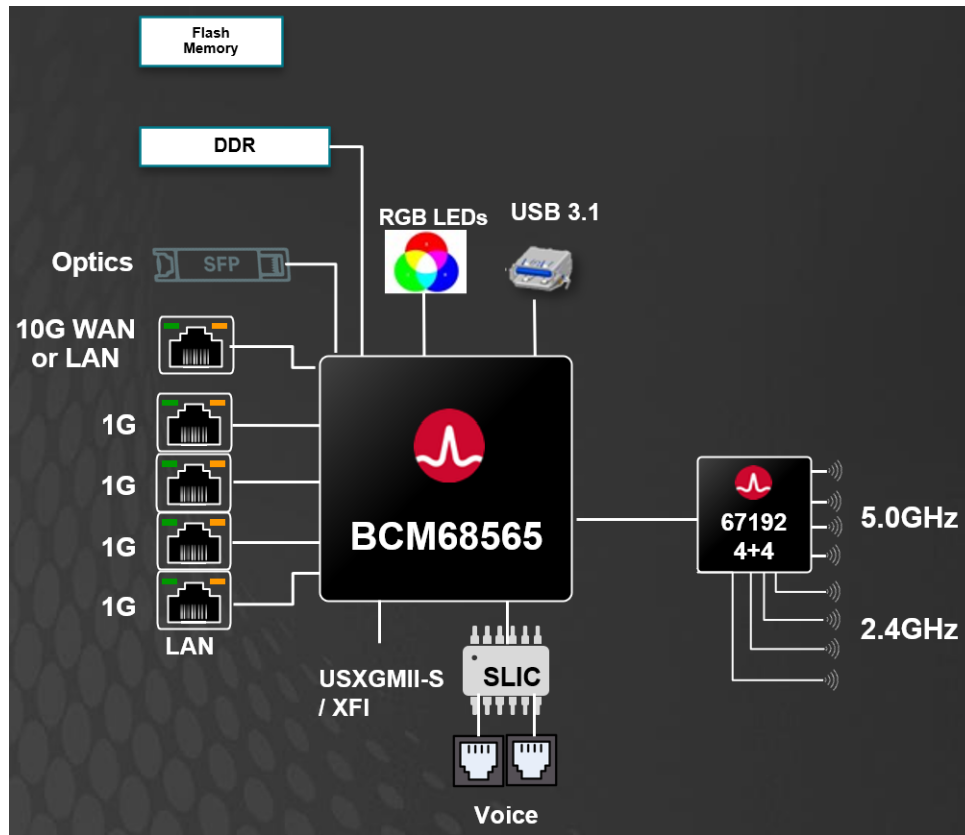
- New UHR MCS rates (MCS17/19/20/23)
- Advanced LDPC codes (2x LDPC)
- Unequal Modulation (UEQM)
- Extended Long Range (ELR)

Optimized Reliability & QoS

- Multi-Link Operation (MLO)
- Continuous CSI capture
- Zero Wait DFS



Typical Wi-Fi 8 XGS PON Platform



BCM67192 Specifications	
Parameter	Details
Wi-Fi Standards	IEEE 802.11bn (Wi-Fi 8) compliant IEEE 802.11be (Wi-Fi 7) compliant IEEE 802.11 a/b/g/n/ac/ax
Spatial Streams	Dual-Radio: 4x4 (2.4 GHz) + 4x4 (5 GHz). Total 8 streams
Spectral Bands	2.4 GHz, 5 GHz
Channel Bandwidths	20/40 MHz (2.4 GHz), 20/40/80/160 MHz (5 GHz)
Highest Modulation Rate	4096-QAM (for UHR/Wi-Fi 8 operation)
Multi-Link Operation (MLO)	Supported on all bands
OFDMA and MU-MIMO	Supported in both uplink and downlink direction
Wireless Security	WPA, WPA2, WPA3 (with 192-bit Suite B encryption), AES encryption/decryption, TKIP and IEEE 802.1X support
Operating Temperature	0°C to 70°C (commercial temperature)

Ordering Information	
Part Number	Description
BCM67192A0KEFBG	4x4 2.4 GHz + 4x4 5 GHz Wi-Fi 8 (802.11bn) Up to 40 MHz (2.4 GHz) and 160 MHz (5 GHz) bandwidth



For more information, visit our website at: www.broadcom.com

Copyright © 2026 Broadcom. All Rights Reserved. The term "Broadcom" refers to Broadcom Inc. and/or its subsidiaries. All trademarks, trade names, service marks, and logos referenced herein belong to their respective companies.
67192-PB100 March 9, 2026