

# MegaRAID<sup>®</sup> LSIiBBU01 Battery Backup Unit

LSI LOGIC<sup>®</sup>

## Quick Installation Guide

This Quick Installation Guide explains how to install the LSI Logic MegaRAID LSIiBBU01 Intelligent Battery Backup Unit on a MegaRAID SATA 300 PCI-X to Serial ATA storage adapter. The LSIiBBU01 protects the cached data on the MegaRAID storage adapter by providing backup power if the main AC power source fails or is interrupted.

The LSIiBBU01 is compliant with the Smart Battery Data Specification, which relieves the host system from the responsibility of communicating battery information and charging the battery.

You can view information about the LSIiBBU01, such as battery temperature and voltage, in the BIOS Configuration Utility and the WebBIOS Configuration Utility. Battery charging and recharging takes place automatically.

The following sections describe how to install the LSIiBBU01 and list the basic hardware specifications for it.

### Installing the LSIiBBU01 on the Storage Adapter

**Caution:** Electrostatic discharge can damage the LSIiBBU01 and the MegaRAID SATA 300 storage adapter. Be sure to install the LSIiBBU01 at an ESD-safe workstation that meets the requirements of EIA-625 – “Requirements For Handling Electrostatic Discharge Sensitive Devices.” When you install the LSIiBBU01, follow the ESD-recommended practices in the latest revision of IPC-A-610.

If the MegaRAID SATA 300 storage adapter is already installed in a computer, follow these steps to remove it before you install the LSIiBBU01:

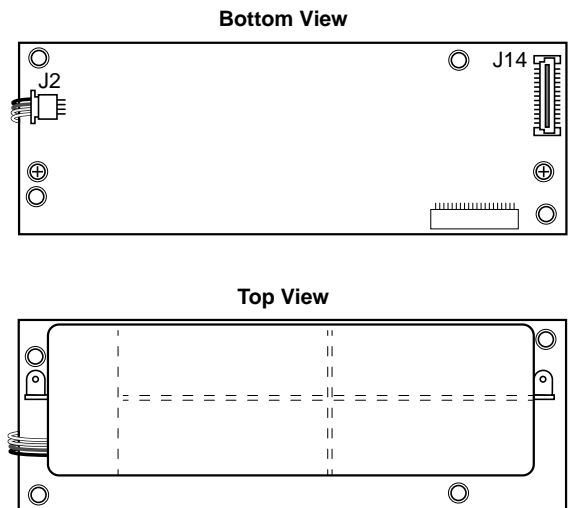
- Step 1** Shut down the computer, turn off the power, and unplug the power cord(s).
- Step 2** Remove the cover from the computer according to the instructions in the system user's manual, so you can access the PCI-X slots.
- Step 3** Ground yourself before touching the MegaRAID SATA 300 storage adapter.
- Step 4** Unplug all cables from the MegaRAID SATA 300 storage adapter, remove the screw attaching the bracket to the computer case, and carefully remove the storage adapter from the slot.
- Step 5** Place the storage adapter on a flat, clean, static-free surface, and continue with the next section.

Follow these steps to install the LSIiBBU01 on the MegaRAID SATA 300 storage adapter:

- Step 1** Ground yourself, and remove the LSIiBBU01 from its package.

Figure 1 shows top and bottom views of the LSIiBBU01. Note the J2 and J14 connectors and the holes for the screws that attach the LSIiBBU01 to the MegaRAID SATA 300 storage adapter.

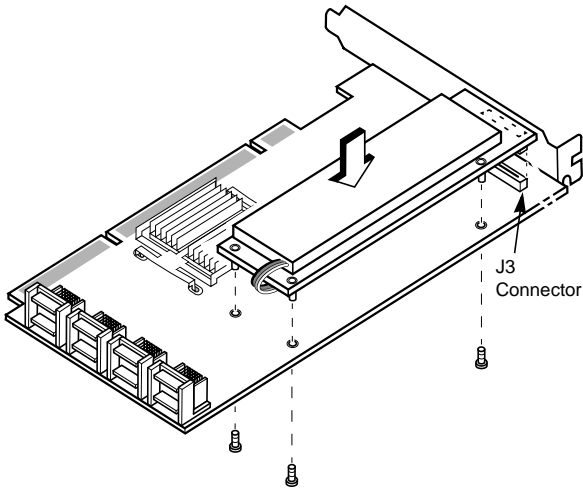
**Figure 1 LSIiBBU01 Intelligent Battery Backup Unit**



- Step 2** Insert the battery pack harness connector (at the end of the colored wires) into the J2 connector on the bottom side of the LSIiBBU01.
- Step 3** Place the MegaRAID SATA 300 storage adapter front-side-up on a flat, clean, static-free surface.
- Step 4** Hold the LSIiBBU01 so that the battery side is up and the J14 connector lines up with the J3 connector on the MegaRAID SATA 300 storage adapter, as shown in Figure 2.

**MEGARAIID**

**Figure 2 Connecting the LSIiBBU01**



**Step 5** Carefully press the LSIiBBU01 onto the storage adapter, so the J3 and J14 connectors are firmly joined.

**Step 6** Using the three Philips-head screws that are provided, secure the LSIiBBU01 to the storage adapter, as shown in [Figure 2](#).

**Caution:** Center the screwdriver carefully to avoid stripping the screw heads. Do not over-tighten the screws. The maximum recommended torque is 2.25 inch pounds.

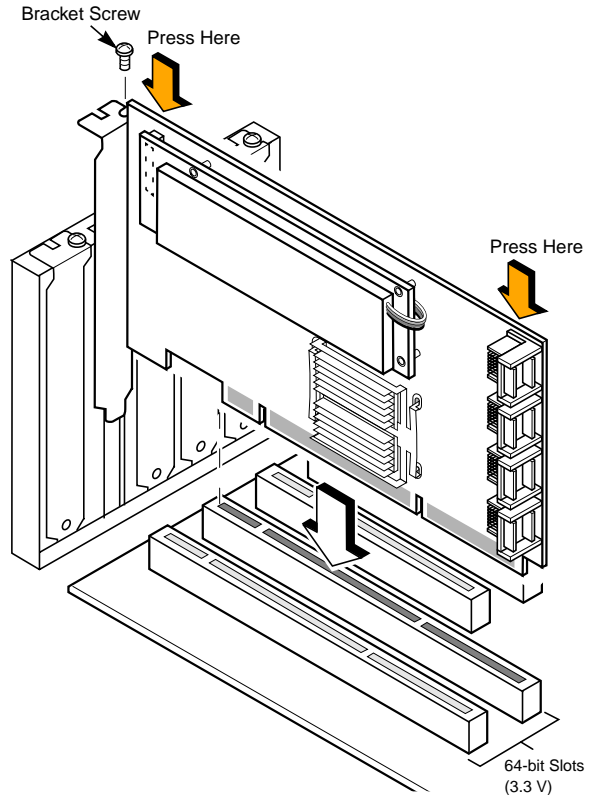
**Step 7** Install the MegaRAID SATA 300 storage adapter in a PCI-X slot in the computer, as shown in [Figure 3](#).

Press down gently, but firmly, to ensure that the storage adapter is properly seated in the slot. The bottom edge of the storage adapter must be flush with the slot.

**Caution:** *Never* apply pressure to the LSIiBBU01 when inserting the adapter. Instead, press down only on the top edge of the storage adapter board, as shown in [Figure 3](#).

**Step 8** Attach the storage adapter to the computer chassis with the bracket screw.

**Figure 3 Installing the Storage Adapter**



**Step 9** Attach the cables, as needed, to the connectors on the MegaRAID SATA 300 storage adapter.

**Step 10** Replace the computer cover and reattach the power cord(s).

### LSIiBBU01 Hardware Specifications

- Supports DDR1 memory technology.
- Can be used with models 300-8X and 300-4X of the MegaRAID SATA 300 storage adapter.
- Battery capacity is 4.22 Wh.
- Reference retention time is 72 hours for 128 MB standard cache on the MegaRAID SATA 300 storage adapter, using 256Mb x 16 DDR1 memory chips.
- LSI Logic recommends that you replace the LSIiBBU01 after one year of service.



Order No. S14079 P/N: 80-00055-01  
DB11-000061-00, Version 1.0, October 2004

Find a list of LSI Logic Corporation's U.S. distributors, international distributors, sales offices, and design resource centers on the LSI Logic web site at:

<http://www.lsillogic.com/contacts/index.html>

LSI Logic, the LSI Logic logo design, and MegaRAID are trademarks or registered trademarks of LSI Logic Corporation. All other brand and product names may be trademarks of their respective companies.

Copyright © 2004 by LSI Logic Corporation. All rights reserved.

LSI Logic Corporation reserves the right to make changes to any products and services herein at any time without notice. LSI Logic does not assume any responsibility or liability arising out of the application or use of any product or service described herein, except as expressly agreed to in writing by LSI Logic; nor does the purchase, lease, or use of a product or service from LSI Logic convey a license under any patent rights, copyrights, trademark rights, or any other of the intellectual property rights of LSI Logic or of third parties.