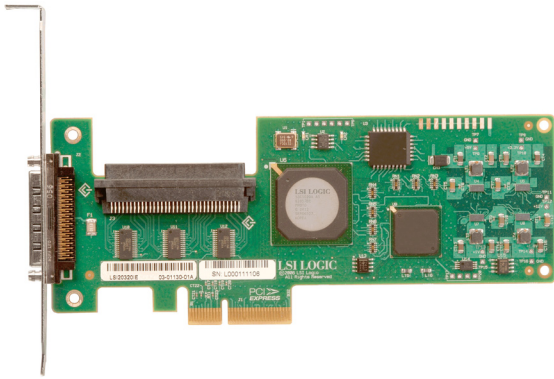


LSI20320IE PCI Express SCSI Host Bus Adapter



Quick Installation Guide



Thank you for purchasing the LSI20320IE PCI Express SCSI Host Bus Adapter (HBA). Please take a few minutes to read this quick installation guide before you install the LSI20320IE.

If you need more information about any topic covered in this guide, refer to the other documents on the accompanying LSI Device Drivers & Utilities CD.

CONTENTS OF THE LSI DEVICE DRIVERS & UTILITIES CD

The LSI HBA CD contains utility programs, device drivers for various operating systems, and the following LSI documentation:

- *LSI Ultra320 SCSI Host Adapters User's Guide*
- *Fusion-MPT™ Device Management User's Guide*
- Host adapter technical product briefs

QUICK HBA INSTALLATION

To install the LSI20320IE, follow these steps:

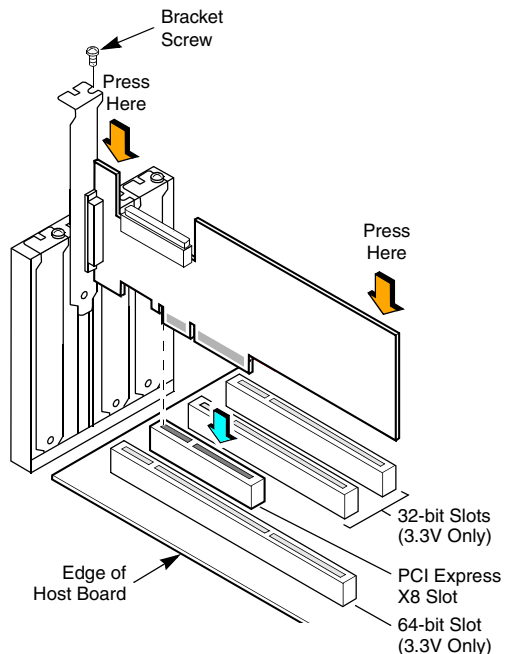
- Step 1** Unpack the HBA in a static-free environment. Remove the HBA from the antistatic bag and inspect it for damage. If it appears to be damaged, or if any component is missing, contact LSI or your reseller support representative.



Make a backup of your data before changing your system configuration.

- Step 2** Turn off the computer and remove the power cord from the back of the power supply. Remove the cover from the chassis. *Be certain to disconnect the computer from the power supply and from any networks before installing the controller card.*

- Step 3** Insert the LSI20320IE in an available PCI Express slot.
- Locate an empty PCI Express slot. Remove the blank bracket panel on the back of the computer that is aligned with the PCI Express slot you have selected. Save the bracket screw when present.
- Align the HBA to a PCI Express slot. Press down gently but firmly to properly seat the HBA in the slot. The following figure shows how to insert the HBA in a PCI Express slot.



Note: The host adapter shape, size, and locations of components may vary from this illustration.



32652-00

- Step 4** Secure the bracket to the system's chassis. Install the bracket screw, when present, or engage the system retention mechanism to secure the HBA to the system's chassis.
- Step 5** Connect the SCSI devices to the internal high-density 68-pin SCSI connector and/or the external very high-density 68-pin SCSI connector.
- Step 6** Replace the cover, the power cord(s), and power-up the system.
Replace the system's cover, reconnect the power cord(s) and any network cables. Turn power on.

The LSI20320IE hardware installation is complete and you are ready to install the operating system drivers. You can obtain the most recent drivers at: <http://www.lsi.com/support>.

WINDOWS DRIVER INSTALLATION

To load the `SYMPPI.SYS` miniport driver during a new Windows 2000 or Windows XP system installation or to load the `LSI_SCSI.SYS` driver during a new Windows 2003 system installation, you can boot directly from the Microsoft installation CD-ROM. The Windows drivers are not interchangeable; however, the instructions are similar.

To install a new Windows operating system and its appropriate device driver, follow these steps:

- Step 1** Using another computer, copy the appropriate driver files supplied on the LSI Device Drivers & Utilities CD onto a diskette. This diskette is needed in Step 6.

To create the driver diskette, open the driver folder on the CD, and then open the folder for the version of the Windows operating system to be installed on the new system.

Next, select all folders and files within the directory and copy them to the root directory of a clean floppy diskette.

- Step 2** Boot the computer from the Windows CD-ROM.
- Step 3** Press F6 when the words *Setup is inspecting your computer's hardware configuration* appear, or when the Windows operating system prompts you for nonsupported drivers.

Important: You must press F6 for the system to recognize the new driver. Otherwise, the system does not recognize the devices controlled by the driver during the Windows setup.



DB11-000087-00, Version 1.0, May 2007

Find a list of LSI Corporation's U.S. distributors, international distributors, sales offices, and design resource centers on the LSI web site at: <http://www.lsi.com>

- Step 4** Follow the instructions until a screen displaying the words *Setup could not determine the type of one or more mass storage device... appears*.
- Step 5** Choose S to specify additional devices.
- Step 6** Follow the prompts and insert the Windows driver diskette when you are prompted to insert the hardware support disk. Select the driver version appropriate for your system.
- Step 7** Follow the Windows installation procedure to complete the installation. Microsoft provides documentation with its installation CD-ROM.

Note: Refer to the *Fusion-MPT Device Management User's Guide* for detailed configuration and installation instructions for all firmware and drivers.

LINUX DRIVER INSTALLATION

Consult the Linux `mptlinux.txt` file on the LSI Device Drivers & Utilities CD. LSI provides Open Source Drivers that may be implemented in the following ways:

- Adding precompiled binaries to an existing installation using driver update disks or RPMs for selected distributions.
- Adding or updating the Fusion-MPT source in the Linux kernel for any distribution.

TECHNICAL SUPPORT

For assistance installing, configuring, or running the LSI20320IE, contact LSI Technical Support:

E-mail: support@lsi.com

Phone: 1-800-633-4545 (North America)
+44.1344.413.115 (Europe)

Web Site: <http://www.lsi.com/support>

LSI, the LSI logo design, and Fusion-MPT are trademarks or registered trademarks of LSI Corporation. All other brand and product names may be trademarks of their respective companies.

Copyright © 2007 by LSI Corporation. All rights reserved.

LSI Corporation reserves the right to make changes to any products and services herein at any time without notice. LSI does not assume any responsibility or liability arising out of the application or use of any product or service described herein, except as expressly agreed to in writing by LSI; nor does the purchase, lease, or use of a product or service from LSI convey a license under any patent rights, copyrights, trademark rights, or any other of the intellectual property rights of LSI or of third parties.