

LSISAS2x36

36-Port 6Gb/s SAS/SATA Expander



Extending Its SAS Technology Leadership, LSI Introduces Its Third Generation Of SAS/SATA Expanders

LSI offers the broadest SAS product portfolio in the industry with true end-to-end solutions - controllers, expanders, active-active multiplexers, ROCs, host bus adapters, RAID solutions, and external storage. LSI's proven SAS core has completed extensive stress and interoperability testing resulting in the industry's most robust, interoperable solution.

Overview

The LSISAS2x36 is LSI's third generation of SAS/SATA expanders that incorporates the latest enhancements in SAS technology.

The LSISAS2x36 is a 36-port 6 Gb/s SAS/SATA expander with an integrated ARM processor for topology management functions such as discovery and enclosure management. This device offers enhanced Enclosure Services such as drive management and supports an optional external enclosure management processor interface. The external storage enclosure processor interface is backward compatible to the LSISASx36, LSI's first generation SAS expander, allowing customers to migrate to the LSISAS2x36 with minimal changes to their enclosure management solution.

The LSISAS2x36 supports SAS and SATA data transfer rates of 1.5, 3, and 6Gb/s and incorporates enhanced features such as Spread Spectrum Clocking for EMI reduction and T-10 based zoning as well as Phy-based zoning for network storage security applications. Other features such as Port Mirroring allow the customer to access signals that are not easily accessible by mirroring that signal to an external connection for debug and diagnosis and the SATA affiliation option of turning off all affiliations and allowing multiple hosts to control various SATA drives.

The LSISAS2x36 provides a programmable timer for SAS or SATA hard disk drive spin up sequencing that also includes the ability to program the number of hard disk drives that can concurrently spin-up.

Applications

- SAS/SATA drive enclosures
- External RAID Subsystems

Features

- 36 Phy edge expander
- 6Gb/s SAS interface
 - 6 and 3Gb/s SAS
 - 6.0, 3.0, and 1.5Gb/s SATA
 - Supports SSP, SMP and STP protocols
 - Wide port support
 - Spread spectrum clocking
- Integrated enclosure processor
 - ARM926 @ 150MHz
 - I/D cache
 - Internal RAM
- SSP and STP initiator function for device management
- SMP initiator function for device management
- T-10 and Phy-based zoning
- 11 GPIO pins
- 3 LED pins per Phy
 - Link status, drive activity, fault LED outputs
 - Can also be used as GPIOs

Features (Continued)

- External memory interfaces
 - Flash, PBSRAM, NVSRAM
- Communication Interfaces
 - Four I2C interfaces for enclosure management services
 - One I2C interface supports an external SEP
 - Two UART interfaces
 - Debug UART
 - Standard UART for out of band communication
 - Enhanced Parallel Port (EPP)
 - Debug interface
 - High speed connection to an external processor
 - 10/100 Ethernet Management Port for out of band communication
 - Low Pin Count Interface
 - Trusted platform module support for encryption and authentication
- Security features
 - Random number generator
 - Hash generator
- SFF-8485 compliant, SGPIO
- JTAG support
- 780 FPBGA, 29x29mm

Software Development Kit

- ThreadX Real Time Operating System from Express Logic
- Hardware Abstraction Layer (HAL)
- Application Programming Interfaces (APIs) functions
 - SSP target/initiator
 - SMP target/initiator
 - Configuration page management
 - Flash support

The LSI SAS2x36 SAS expander provides large storage environments the ability to connect multiple targets and initiators through a switched device for scalability and fault tolerant path-redundancy to improve system reliability ideal for today’s data center and storage subsystems.

A software development kit is available which provides a baseline SES solution and can be customized for unique solutions. The same programming model can be used for the internal processor or an external SEP for seamless customer migration.

A software development kit (SDK) is available which provides the application programming interface (API) functions and a baseline SES solution enabling customers to create their own unique firmware solutions. The same programming model can be used for the internal processor or an external SEP for seamless customer migration. Please contact your LSI Sales Representative for more SDK details and Third Party support.

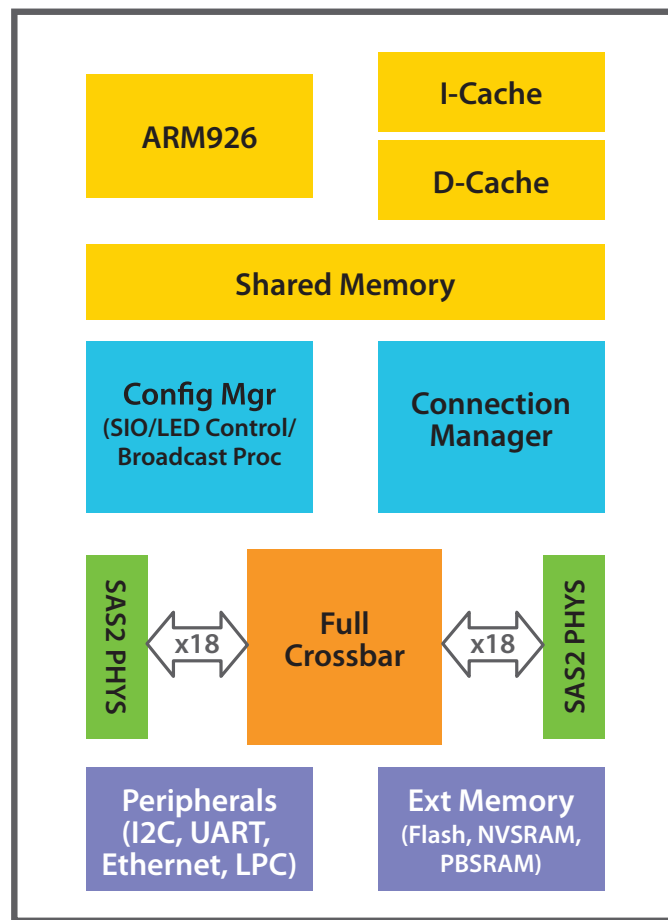


Figure 1. LSI SAS2x36 block diagram

- I2C master/slave
 - SES enclosure support
 - LED
 - GPIO
 - SGPIO
 - Baseline SES firmware solution with sample code
 - NetX support from Express Logic
 - Simple, embedded CLI (register access, basic configuration)
 - Self -configuring expander and T-10 zoning
 - Device drivers for I2C, SSP target, CLI, debug UART, debug Ethernet
- Third Party Support**
- ARM Realview developer suite
 - ARM Realview ICE
 - Cygwin environment

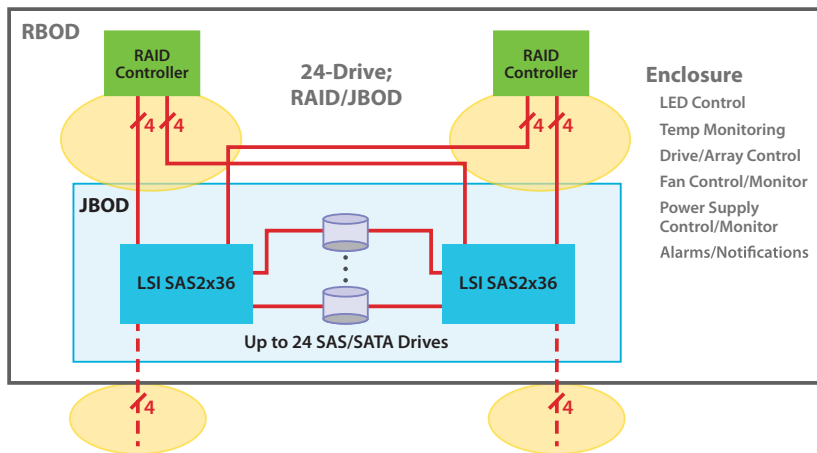


Figure 2. SAS/SATA storage application



For more information and sales office locations, please visit the LSI website at: www.lsi.com



North American Headquarters
 San Jose, CA
 T: +1.866.574.5741 (within U.S.)
 T: +1.408.954.3108 (outside U.S.)

**LSI Europe Ltd.
 European Headquarters**
 United Kingdom
 T: [+44] 1344.413200

LSI KK Headquarters
 Tokyo, Japan
 T: [+81] 3.5463.7165

LSI, the LSI & Design logo, and the Storage.Networking.Accelerated. tagline are trademarks or registered trademarks of LSI Corporation. All other brand or product names may be trademarks or registered trademarks of their respective companies.

LSI Corporation reserves the right to make changes to any products and services herein at any time without notice. LSI does not assume any responsibility or liability arising out of the application or use of any product or service described herein, except as expressly agreed to in writing by LSI; nor does the purchase, lease, or use of a product or service from LSI convey a license under any patent rights, copyrights, trademark rights, or any other of the intellectual property rights of LSI or of third parties.