

LSI53C141

SCSI LVD BUS EXPANDER



SCSI LVD BUS EXPANDER OVERVIEW

SCSI bus expanders are the way servers are clustered. A SCSI bus expander couples bus segments together without any impact to the SCSI protocol, software, or firmware. The LSI53C141 SCSI Bus Expander attaches single-ended (SE) SCSI peripherals to the Low Voltage Differential (LVD) signaling bus used by Ultra2 SCSI.

The LSI53C141 enables system architects to take advantage of the inherent cable distance, device connectivity, and data reliability benefits of LVD signaling while operating with peripherals designed for Ultra SCSI speeds.

The LSI53C141 operates in two modes: single-ended to single-ended (repeater) or single-ended to Low Voltage Differential (converter). For applications requiring SE to High voltage Differential (HVD), the LSI53C120 Bus Expander should be used.

In both SCSI bus repeater and converter modes, cable segments are electrically isolated from each other. This feature maintains the signal integrity of each cable segment. For bus isolation applications, the LSI53C141 is ideally suited for the LSI53C895 Ultra2 SCSI controller.

The LSI53C141 provides additional control capability through the pin level electrical isolation mode. This feature allows logical disconnection of both the A side bus and B side bus without disrupting SCSI transfers currently in progress. For example, devices on the logically disconnected B side can be swapped out while the A side bus remains active.

The LSI53C141 is based upon bus expander technology resulting in some signal filtering and retiming to maintain signal skew budgets. In addition, the LSI53C141 has no programmable registers, therefore it does not require any software.

FEATURES

- Attaches single-ended SCSI devices to a Low Voltage Differential (LVD) SCSI bus
- Operates as a SCSI bus converter or repeater
- Provides SCSI bus electrical isolation for high availability and scalable server clustering technologies
- Targets and initiators can be located on either the A or B side of the device
- Via the pin level electrical isolation mode, each side of the device can be logically disconnected from the other
- Dynamic mode switching used to inform initiators of a transmission mode change
- Self-calibration mode supports variations in voltage, temperature, and silicon process
- Accepts asynchronous or synchronous transfer speed up to Ultra SCSI

LSI53C141 SCSI LVD Bus Expander

FEATURES (Continued)

- Does not consume a SCSI ID
- On-chip multi-mode LVDlink™ transceivers
- Supports TolerANT® transceiver technology
- Can cascade up to three LSI53C141s
- Complete support for SCSI-1, -2, & -3
- Completely independent of software

APPLICATIONS

- Server clustering environments
- Expanders create distinct SCSI cable segments which are electrically isolated from each other (See Figure 1)

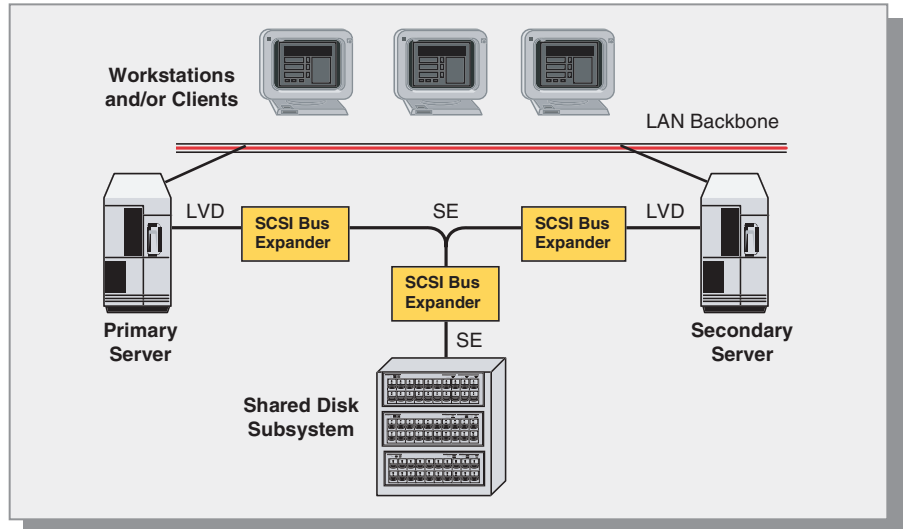


Figure 1: Example of server clustering using LSI53C141 devices

Refer to Figure 2 for the block level description of the LSI53C141.

Re-timing Logic

The SCSI signals, as they propagate from one side of the device to the other, are processed by logic which retimes them as necessary to guarantee SCSI bus signal timings. This logic is governed by the state machine control block. In addition, the re-timing logic contains numerous precision delay elements which are periodically calibrated by the precision delay control block.

Precision Delay Control

The precision delay control block provides calibration information to the re-timing logic block for it to maintain precise SCSI bus timing such as output pulse widths, setup and hold times, and etc. As the system voltage and temperature conditions vary over time, the precision delay control block will periodically update the delay settings in the re-timing logic to maintain constant and precise control over bus timing.

State Machine Control

The state machine control block monitors SCSI bus protocol and other internal operating conditions such as SCSI phase, location of initiator and target, and various timer functions. This block provides input to the re-timing logic which identifies how to properly handle SCSI bus signal re-timing and protocol based on observed bus conditions.

Dynamic Mode Switching

The LSI53C141 is designed to support dynamic transmission mode changes on bus segments which support both LVD and SE. The DIFFSENS line is used to detect a valid mode switch on the multi-mode LVD bus segment. For instance, when a SE device is plugged onto an LVD bus, the dynamic mode switch feature is used to inform any initiators residing on the opposing bus segment of the change in transmission mode. These initiators may then analyze the integrity of this mode change versus performance capabilities and conduct any necessary re-negotiations.

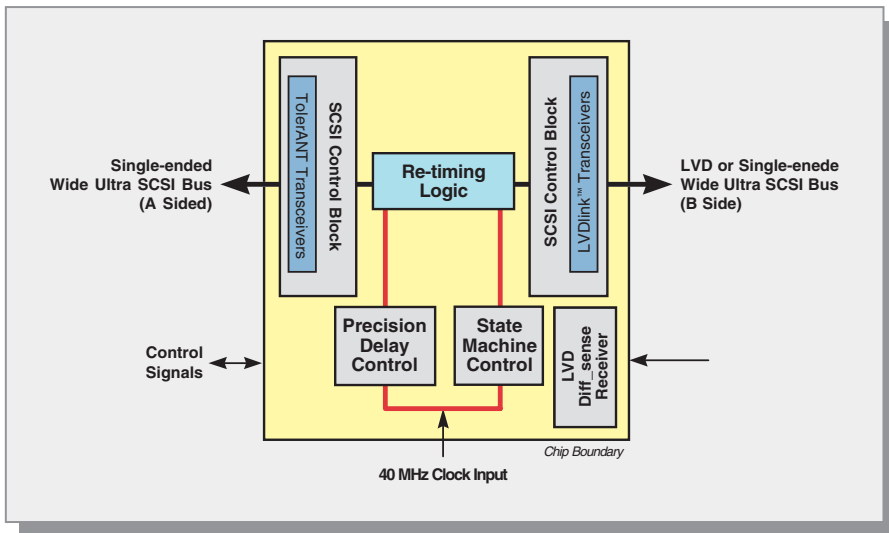


Figure 2: LSI53C141 block diagram

LSI53C141 SCSI LVD Bus Expander

SIGNAL GROUPING

The following diagrams the functional signal groupings of the LSI53C141.

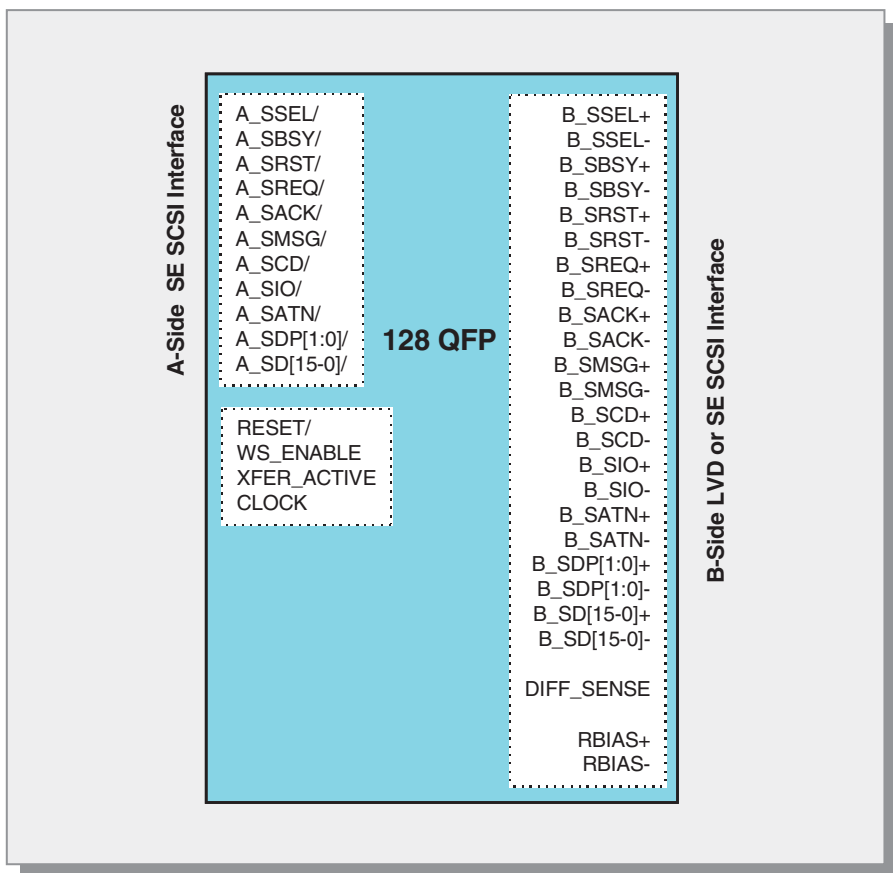


Figure 3: Functional signal grouping

SPECIFICATIONS

- 40 MHz Input Clock
- Package: 128-pin Plastic Quad Flat Pack (PQFP)
- Compliant with the reference specifications shown below:

Product	Repeater	Converter
LSI53C120	SE to SE	SE to HVD
LSI53C141	SE to SE	SE to LVD

For more information please visit the LSI Logic web site at:

<http://storageio.lsillogic.com>

LSI Logic Corporation

North American Headquarters
Milpitas, CA
Tel: 800 574 4286

LSI Logic Europe Ltd.

European Headquarters
United Kingdom
Tel: 44 1344 426544
Fax: 44 1344 481039

LSI Logic KK Headquarters

Tokyo, Japan
Tel: 81 3 5463 7165
Fax 81 3 5463 7820

ISO 9000 Certified

LSI Logic logo design and TolerANT are registered trademarks, and LVDlink is a trademark of LSI Logic Corporation. All other brand and product names may be trademarks of their respective companies.

LSI Logic Corporation reserves the right to make changes to any products and services herein at any time without notice. LSI Logic does not assume any responsibility or liability arising out of the application or use of any product or service described herein, except as expressly agreed to in writing by LSI Logic; nor does the purchase, lease, or use of a product or service from LSI Logic convey a license under any patent rights, copyrights, trademark rights, or any other of the intellectual property rights of LSI Logic or of third parties.

Copyright ©2001 by LSI Logic Corporation.
All right reserved.

Order No. S20041
3/01-1M – Printed in USA



The
Communications
Company™